



SKYWORKS®

Product Brief

Applications

- Smart meters
- Tracking
- RFID

Features

- Transmit output power: 21 dBm
- Transmit current consumption at 20 dBm: 67 mA
- Wide supply operation: 2.5 to 3.6 V
- Low insertion loss receive bypass: 0.5 dB
- Small package: MCM 16-pin, 4 x 4 x 0.9 mm

SKY66115-11

470 to 510 MHz Front-end Module

Low power, cost-effective solution increases range and output power for smart metering and Internet of Things applications

The SKY66115-11 is a highly integrated front-end module (FEM) designed for smart metering applications in the 470 to 510 MHz range. The device is provided in a 4 x 4 x 0.9 mm, 16-pin MCM package. A functional block diagram is shown in Figure 1.

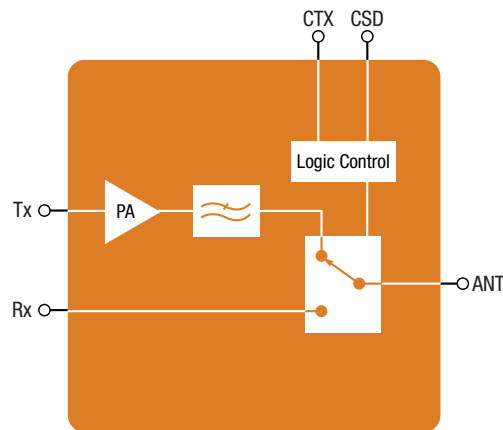


Figure 1. Functional Diagram

Reference Design

The SKY66115-11 has been designed into a complete reference design with Texas Instruments' CC1310 device.

About the CC1310 SimpleLink™ Sub-1 GHz Ultra-Low Power Wireless Microcontroller (MCU)

The SimpleLink™ Sub-1 GHz CC1310 solution is an ultra-low power, long-range wireless microcontroller (MCU) for operation in 315, 433, 470, 500, 868, 915 and 920 MHz ISM bands. To enhance the range, ease of use and board space, TI worked with Skyworks Solutions, to integrate the CC1310 wireless MCU with a compact, cost-effective FEM. The SKY66115-11, together with the CC1310 wireless MCU, addresses customers' needs for long-range, low-power and low-cost solutions.



For more information regarding the CC1310, please visit: <http://www.ti.com/product/cc1310>.

For the latest information, please visit our website at www.skyworksinc.com



Join Our Customer
Email Program Today!

