

DATA SHEET

OLH6000/6001: High-Speed Schmitt Trigger Hermetic Optocouplers

Features

- Performance guaranteed over $-55\text{ }^{\circ}\text{C}$ to $+125\text{ }^{\circ}\text{C}$ ambient temperature range
- Guaranteed minimum Common Mode Rejection (CMR) transient immunity $>1000\text{ V}/\mu\text{s}$ @ 300 V_{CM}
- Microprocessor-compatible drive
- On/off threshold hysteresis
- Fast switching: $t_r, t_f = 10\text{ ns}$ typical

Description

The OLH6000/6001 has an LED and integrated high-speed detector that are mounted and coupled in a hermetic 8-pin side brazed Dual In-line Package (DIP), which provides $1500\text{ V}_{\text{DC}}$ electrical isolation between the input and output. The light from the LED is collected by the photo-diode in the integrated detector. The integrated detector incorporates a Schmitt trigger, which provides hysteresis for noise immunity and pulse shaping and an open collector output. Typical propagation delay of this product is 170 ns . The CMR transient immunity is greater than $1000\text{ V}/\mu\text{s}$ at 300 V_{CM} .

The OLH6001 is a 100 percent screened version of the OLH6000.

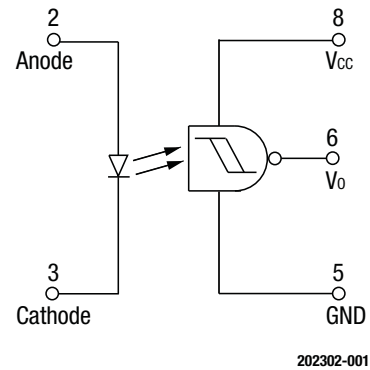


Figure 1. OLH6000/6001 Block Diagram

Figure 1 shows the OLH6000/6001 functional block diagram. Table 1 provides the OLH6000/6001 absolute maximum ratings. Table 2 provides the OLH6000/6001 electrical specifications. Figures 2 and 3 illustrate the OLH6000/6001 typical performance characteristics. Figure 4 shows the OLH6000/6001 switching test circuit. Figure 5 provides the OLH6000/6001 package dimensions.

Table 1. OLH6000/6001 Absolute Maximum Ratings ¹

Parameter	Symbol	Minimum	Maximum	Units
<i>Coupled</i>				
Input to output isolation voltage ²	V _{DC}	-1500	+1500	V
Storage temperature range	T _{STG}	-65	+150	°C
Operating temperature range	T _A	-55	+125	°C
Mounting temperature range (3 minutes maximum)			+240	°C
Total power dissipation	P _D		+300	mW
<i>Input Diode</i>				
Average input current	I _{DD}		20	mA
Reverse voltage	V _R		5	V
Power dissipation	P _D		40	mW
<i>Output Detector</i>				
Peak output current			40	mA
Supply voltage	V _{CC}		18	V
Output voltage	V _{OUT}		18	V

¹ Exposure to maximum rating conditions for extended periods may reduce device reliability. There is no damage to the device with only one parameter set at the limit and all other parameters set at or below their nominal value. Exceeding any of the limits listed here may result in permanent damage to the device.

² Measured between pins 1, 2, 3, and 4 shorted together, and pins 5, 6, 7, and 8 shorted together. T_A = 25 °C and duration = 1 s.

CAUTION: Although this device is designed to be as robust as possible, electrostatic discharge (ESD) can damage this device. This device must be protected at all times from ESD. Static charges may easily produce potentials of several kilovolts on the human body or equipment, which can discharge without detection. Industry-standard ESD precautions should be used at all times.

Table 2. OLH6000/6001 Electrical Specifications ¹
(T_A = -55 °C to +125 °C, Unless Otherwise Noted)

Parameter	Symbol	Test Condition	Minimum	Typical	Maximum	Units
Threshold Current, ON	I _{F(ON)}	V _{CC} = 18 V, I _{OL} = 10 mA			5	mA
Hysteresis ratio	I _{E(OFF)} I _{F(ON)}	V _{CC} = 18 V, I _{OL} = 10 mA		0.8		
Low level output voltage	V _{OL}	V _{CC} = 18 V, I _{OL} = 10 mA, I _F = 5 mA		0.15	0.5	V
High level output current	I _{OH}	V _{CC} = V _O = 18 V, I _F = 0 mA		0	250	μA
Supply current:						
High level	I _{CCH}	V _{CC} = 18 V, I _F = 0 mA		9.0	15.0	mA
Low level	I _{CCL}	V _{CC} = 18 V, I _F = 5 mA		9.5	16.0	mA
Input forward voltage	V _F	I _F = 5 mA		1.55	2.0	V
Input reverse current	I _R	V _R = 3 V			10	μA
Input to output leakage current (Note 2)	I _{L_O}	R _H ≤ 50%, T _A = 25 °C, V _{L_O} = 1500 V _{DC}			1	μA
Propagation delay time:						
High to low	t _{PHL}	I _F = 5 mA, V _{CC} = 18 V, R _L = 2 kΩ		150	300	ns
Fall time	t _f	I _F = 5 mA, V _{CC} = 18 V, R _L = 2 kΩ		10		ns
High to low	t _{PLH}	I _F = 5 mA, V _{CC} = 18 V, R _L = 2 kΩ		250	500	ns
Rise time	t _r	I _F = 5 mA, V _{CC} = 18 V, R _L = 2 kΩ		10		ns
Common mode transient immunity:						
Logic high	CM _H	V _{CM} = 300 V peak, R _L = 2 kΩ, V _{CC} = 18 V, I _F = 0 mA, T _A = 25 °C	1000	>10,000		V/μs
Logic low	CM _L	I _F = 5 mA, T _A = 25 °C	1000	>10,000		V/μs

¹ Performance is guaranteed only under the conditions listed in the above table.

² Measured between pins 1, 2, 3, and 4 shorted together, and pins 5, 6, 7, and 8 shorted together. T_A = 25 °C and duration = 1 s.

Typical Performance Characteristics

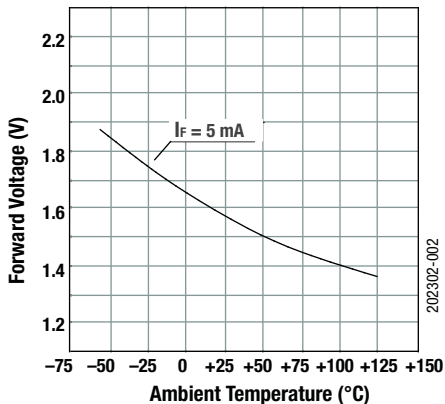


Figure 2. Forward Voltage vs Temperature

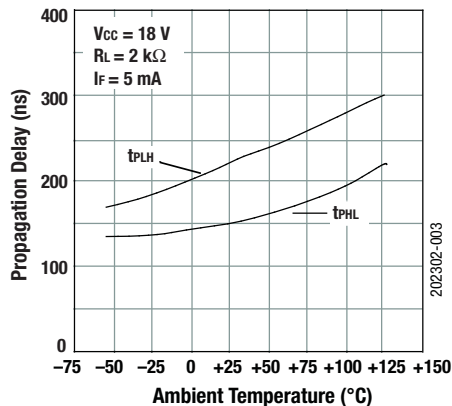


Figure 3. Propagation Delay vs Temperature

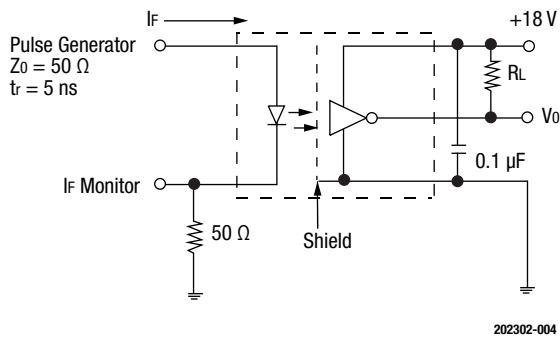
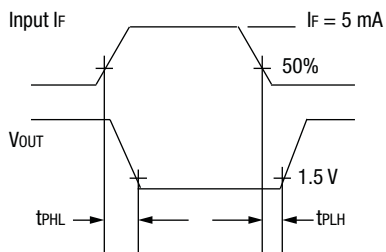


Figure 4. OLH6000/6001 Switching Test Circuit

DATA SHEET • OLH6000/6001: HIGH-SPEED SCHMITT TRIGGER HERMETIC OPTOCOUPPLERS

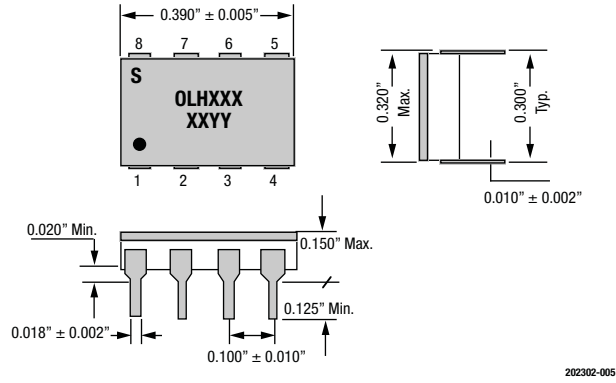


Figure 5. OLH6000/6001 Package Dimensions

Ordering Information

Model Name	Manufacturing Part Number
OLH6000/6001: High-Speed Schmitt Trigger Hermetic Optocouplers	OLH6000/6001

Copyright © 2012, 2017 Isolink, Inc. All Rights Reserved.

Information in this document is provided in connection with Isolink, Inc. ("Isolink"), a wholly-owned subsidiary of Skyworks Solutions, Inc. These materials, including the information contained herein, are provided by Isolink as a service to its customers and may be used for informational purposes only by the customer. Isolink assumes no responsibility for errors or omissions in these materials or the information contained herein. Isolink may change its documentation, products, services, specifications or product descriptions at any time, without notice. Isolink makes no commitment to update the materials or information and shall have no responsibility whatsoever for conflicts, incompatibilities, or other difficulties arising from any future changes.

No license, whether express, implied, by estoppel or otherwise, is granted to any intellectual property rights by this document. Isolink assumes no liability for any materials, products or information provided hereunder, including the sale, distribution, reproduction or use of Isolink products, information or materials, except as may be provided in Isolink Terms and Conditions of Sale.

THE MATERIALS, PRODUCTS AND INFORMATION ARE PROVIDED "AS IS" WITHOUT WARRANTY OF ANY KIND, WHETHER EXPRESS, IMPLIED, STATUTORY, OR OTHERWISE, INCLUDING FITNESS FOR A PARTICULAR PURPOSE OR USE, MERCHANTABILITY, PERFORMANCE, QUALITY OR NON-INFRINGEMENT OF ANY INTELLECTUAL PROPERTY RIGHT; ALL SUCH WARRANTIES ARE HEREBY EXPRESSLY DISCLAIMED. ISOLINK DOES NOT WARRANT THE ACCURACY OR COMPLETENESS OF THE INFORMATION, TEXT, GRAPHICS OR OTHER ITEMS CONTAINED WITHIN THESE MATERIALS. ISOLINK SHALL NOT BE LIABLE FOR ANY DAMAGES, INCLUDING BUT NOT LIMITED TO ANY SPECIAL, INDIRECT, INCIDENTAL, STATUTORY, OR CONSEQUENTIAL DAMAGES, INCLUDING WITHOUT LIMITATION, LOST REVENUES OR LOST PROFITS THAT MAY RESULT FROM THE USE OF THE MATERIALS OR INFORMATION, WHETHER OR NOT THE RECIPIENT OF MATERIALS HAS BEEN ADVISED OF THE POSSIBILITY OF SUCH DAMAGE.

Isolink products are not intended for use in medical, lifesaving or life-sustaining applications, or other equipment in which the failure of the Isolink products could lead to personal injury, death, physical or environmental damage. Isolink customers using or selling Isolink products for use in such applications do so at their own risk and agree to fully indemnify Isolink for any damages resulting from such improper use or sale.

Customers are responsible for their products and applications using Isolink products, which may deviate from published specifications as a result of design defects, errors, or operation of products outside of published parameters or design specifications. Customers should include design and operating safeguards to minimize these and other risks. Isolink assumes no liability for applications assistance, customer product design, or damage to any equipment resulting from the use of Isolink products outside of stated published specifications or parameters.

Isolink is a trademark of Isolink Inc. in the United States and other countries. Skyworks and the Skyworks symbol are trademarks or registered trademarks of Skyworks Solutions, Inc., in the United States and other countries. Third-party brands and names are for identification purposes only, and are the property of their respective owners.