



SKYWORKS®

PRODUCT SUMMARY

SKY5A2203: Sky5® LB/MB/HB LNA Bank Module

Applications

- 4G/5G automotive and telematics Network Attached Device (NAD)
- 4G/5G Customer Premises Equipment (CPE)

Features

- Integrates five high-performance variable gain LNAs:
 - MHB: Three LNAs
 - LMB: One LNA
 - LB: One LNA
- Multiple input ports and MUX outputs supporting high order RxD MIMO
- Fully Baseband Agnostic Design:
 - MIPI RFFE control with dual-standard support
 - Various gain steps supporting any baseband required gain
- Automotive support:
 - PPAP
 - AEC-Q104 qualification
 - IMDS material declaration
- Small, low profile package:
 - 2.9 mm x 2.9 mm x 0.7 mm (max.)
 - LGA package



Skyworks Green™ products are compliant with all applicable legislation and are halogen-free. For additional information, refer to *Skyworks Definition of Green™*, document number SQ04-0074.

Description

The SKY5A2203 is a complete LB/LMB/MHB LNA bank module that integrates high linearity, superior gain, and industry-leading noise figure (NF) performance. The SKY5A2203 is part of our Sky5® product portfolio.

The SKY5A2203 includes five LNAs with MUX output ports for automotive NAD or CPE devices. The device supports cellular receiver functions.

The LNA module supports all key two- and three-carrier aggregation band combinations with proper external filters.

High-performance, multi-gain mode LNAs are enabling compatibility to next generation LNA-less LTE transceivers. The SKY5A2203 is compatible with 3GPP GSM, WCDMA, LTE, LTE-A, and 5G standards.

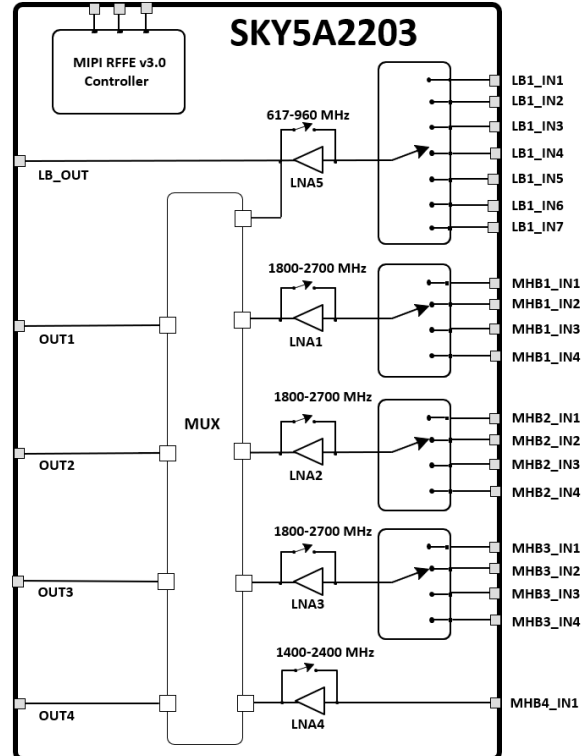


Figure 1. Block Diagram

Ordering Information

Part Number	Part Description	Evaluation Board Part Number
SKY5A2203	Sky5® LB/MB/HB LNA Bank Module	SKY5A2203EK1

Copyright © 2024, Skyworks Solutions, Inc. All Rights Reserved.

Information in this document is provided in connection with Skyworks Solutions, Inc. ("Skyworks") products or services. These materials, including the information contained herein, are provided by Skyworks as a service to its customers and may be used for informational purposes only by the customer. Skyworks assumes no responsibility for errors or omissions in these materials or the information contained herein. Skyworks may change its documentation, products, services, specifications or product descriptions at any time, without notice. Skyworks makes no commitment to update the materials or information and shall have no responsibility whatsoever for conflicts, incompatibilities, or other difficulties arising from any future changes.

No license, whether express, implied, by estoppel or otherwise, is granted to any intellectual property rights by this document. Skyworks assumes no liability for any materials, products or information provided hereunder, including the sale, distribution, reproduction or use of Skyworks products, information or materials, except as may be provided in Skyworks' Terms and Conditions of Sale.

THE MATERIALS, PRODUCTS AND INFORMATION ARE PROVIDED "AS IS" WITHOUT WARRANTY OF ANY KIND, WHETHER EXPRESS, IMPLIED, STATUTORY, OR OTHERWISE, INCLUDING FITNESS FOR A PARTICULAR PURPOSE OR USE, MERCHANTABILITY, PERFORMANCE, QUALITY OR NON-INFRINGEMENT OF ANY INTELLECTUAL PROPERTY RIGHT; ALL SUCH WARRANTIES ARE HEREBY EXPRESSLY DISCLAIMED. SKYWORKS DOES NOT WARRANT THE ACCURACY OR COMPLETENESS OF THE INFORMATION, TEXT, GRAPHICS OR OTHER ITEMS CONTAINED WITHIN THESE MATERIALS. SKYWORKS SHALL NOT BE LIABLE FOR ANY DAMAGES, INCLUDING BUT NOT LIMITED TO ANY SPECIAL, INDIRECT, INCIDENTAL, STATUTORY, OR CONSEQUENTIAL DAMAGES, INCLUDING WITHOUT LIMITATION, LOST REVENUES OR LOST PROFITS THAT MAY RESULT FROM THE USE OF THE MATERIALS OR INFORMATION, WHETHER OR NOT THE RECIPIENT OF MATERIALS HAS BEEN ADVISED OF THE POSSIBILITY OF SUCH DAMAGE.

Skyworks products are not intended for use in medical, lifesaving or life-sustaining applications, or other equipment in which the failure of the Skyworks products could lead to personal injury, death, physical or environmental damage. Skyworks customers using or selling Skyworks products for use in such applications do so at their own risk and agree to fully indemnify Skyworks for any damages resulting from such improper use or sale.

Customers are responsible for their products and applications using Skyworks products, which may deviate from published specifications as a result of design defects, errors, or operation of products outside of published parameters or design specifications. Customers should include design and operating safeguards to minimize these and other risks. Skyworks assumes no liability for applications assistance, customer product design, or damage to any equipment resulting from the use of Skyworks products outside of Skyworks' published specifications or parameters.

Skyworks, the Skyworks symbol, Sky5®, SkyOne®, SkyBlue™, Skyworks Green™, ClockBuilder®, DSPLL®, ISOmodem®, ProSLIC®, SiPHY®, and RFelC® are trademarks or registered trademarks of Skyworks Solutions, Inc. or its subsidiaries in the United States and other countries. Third-party brands and names are for identification purposes only and are the property of their respective owners. Additional information, including relevant terms and conditions, posted at www.skyworksinc.com, are incorporated by reference.