



SKYWORKS®

PRODUCT SUMMARY

# SKY66425-11 Dual Mode LTE + ISM RF Front-end Module

## Applications

- Smart City with LTE Cat-M
- Smart meters
- SM communications
- Smart thermostats
- Range extenders

## Features

- LTE LB-MB TRX pass-through
- 863 to 940 MHz ISM + EU receive LNA/bypass
- Private LTE (Anterix) 26 dBm transmit capability
- Private LTE (Anterix) Rx sensitivity boost
- Single-ended, 50 Ω transmit/receive RF interfaces
- Fast turn-on/turn-off time: 1 to 2 us
- DC blocked on all RF ports
- Supply operation: 2.0 V to 4.8 V
- Sleep mode current: < 1 μA
- Small footprint shielded 64-pin BGA (6 x 7 x 1.14 mm) package (MSL3, 260°C per JEDEC J-STD-020)



Skyworks Green™ products are compliant with all applicable legislation and are halogen-free. For additional information, refer to Skyworks Definition of Green™, document number SQ04-0074.

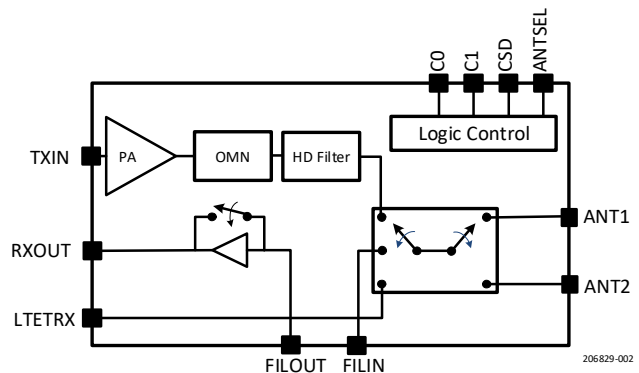


Figure 2. SKY66425-11 Block Diagram

## Description

The SKY66425-11 is a high performance, highly integrated dual LTE and Industrial Scientific Medical (ISM) RF front-end module, with LTE LB/MB transmitter and receive pass through. The PA and LNA operates at 863 to 940 MHz ISM and Private LTE (Anterix) bands.

The SKY66425-11 is designed for ease of use and maximum flexibility, with fully matched 50 Ω inputs and outputs, and digital controls.

The RF blocks operate over a wide supply voltage range from 2.0 V to 4.8 V, which allows the SKY66425-11 to be used in battery powered applications over a wide spectrum of the battery discharge curve.

The SKY66425-11 is packaged in a Multi-Chip Module (MCM) with exposed ground paddle and surrounding shielding.

The device pinout is shown in Figure 1 and the device block diagram is shown in Figure 2.

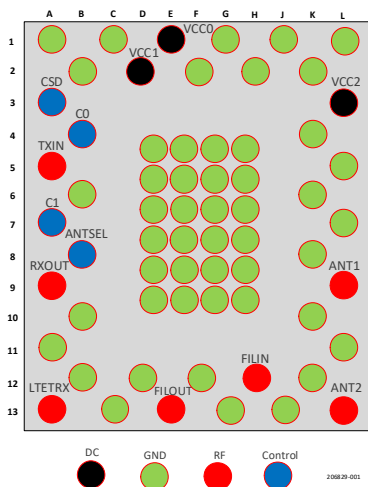


Figure 1. SKY66425-11 Pinout (Top View)

Ordering Information

| Part Number | Product Description                     | Evaluation Board Part Number |
|-------------|---|------------------------------|
| SKY66425-11 | Dual Mode LTE + ISM RF Front-End Module | SKY66425-11EK1               |

Copyright © 2024, Skyworks Solutions, Inc. All Rights Reserved.

Information in this document is provided in connection with Skyworks Solutions, Inc. ("Skyworks") products or services. These materials, including the information contained herein, are provided by Skyworks as a service to its customers and may be used for informational purposes only by the customer. Skyworks assumes no responsibility for errors or omissions in these materials or the information contained herein. Skyworks may change its documentation, products, services, specifications or product descriptions at any time, without notice. Skyworks makes no commitment to update the materials or information and shall have no responsibility whatsoever for conflicts, incompatibilities, or other difficulties arising from any future changes.

No license, whether express, implied, by estoppel or otherwise, is granted to any intellectual property rights by this document. Skyworks assumes no liability for any materials, products or information provided hereunder, including the sale, distribution, reproduction or use of Skyworks products, information or materials, except as may be provided in Skyworks' Terms and Conditions of Sale.

THE MATERIALS, PRODUCTS AND INFORMATION ARE PROVIDED "AS IS" WITHOUT WARRANTY OF ANY KIND, WHETHER EXPRESS, IMPLIED, STATUTORY, OR OTHERWISE, INCLUDING FITNESS FOR A PARTICULAR PURPOSE OR USE, MERCHANTABILITY, PERFORMANCE, QUALITY OR NON-INFRINGEMENT OF ANY INTELLECTUAL PROPERTY RIGHT; ALL SUCH WARRANTIES ARE HEREBY EXPRESSLY DISCLAIMED. SKYWORKS DOES NOT WARRANT THE ACCURACY OR COMPLETENESS OF THE INFORMATION, TEXT, GRAPHICS OR OTHER ITEMS CONTAINED WITHIN THESE MATERIALS. SKYWORKS SHALL NOT BE LIABLE FOR ANY DAMAGES, INCLUDING BUT NOT LIMITED TO ANY SPECIAL, INDIRECT, INCIDENTAL, STATUTORY, OR CONSEQUENTIAL DAMAGES, INCLUDING WITHOUT LIMITATION, LOST REVENUES OR LOST PROFITS THAT MAY RESULT FROM THE USE OF THE MATERIALS OR INFORMATION, WHETHER OR NOT THE RECIPIENT OF MATERIALS HAS BEEN ADVISED OF THE POSSIBILITY OF SUCH DAMAGE.

Skyworks products are not intended for use in medical, lifesaving or life-sustaining applications, or other equipment in which the failure of the Skyworks products could lead to personal injury, death, physical or environmental damage. Skyworks customers using or selling Skyworks products for use in such applications do so at their own risk and agree to fully indemnify Skyworks for any damages resulting from such improper use or sale.

Customers are responsible for their products and applications using Skyworks products, which may deviate from published specifications as a result of design defects, errors, or operation of products outside of published parameters or design specifications. Customers should include design and operating safeguards to minimize these and other risks. Skyworks assumes no liability for applications assistance, customer product design, or damage to any equipment resulting from the use of Skyworks products outside of Skyworks' published specifications or parameters.

Skyworks, the Skyworks symbol, Sky5®, SkyOne®, SkyBlue™, Skyworks Green™, ClockBuilder®, DSPLL®, ISOModem®, ProSLIC®, SiPHY®, and RFelC® are trademarks or registered trademarks of Skyworks Solutions, Inc. or its subsidiaries in the United States and other countries. Third-party brands and names are for identification purposes only and are the property of their respective owners. Additional information, including relevant terms and conditions, posted at [www.skyworksinc.com](http://www.skyworksinc.com), are incorporated by reference.