



SKYWORKS[®]



skyworksinc.com

Isolation

Solutions for Industrial, Power Supply, Automotive, Communication, and Consumer Applications

With more than 300 million isolation channels in field service, our isolation portfolio is used by a wide range of customers and applications, including industrial automation, transportation systems, home entertainment electronics, and medical systems. Our products include digital isolators, isolated gate drivers, isolated analog and ADC, industrial I/O, and isolated FET families.

Isolation Products

The Skyworks digital isolation product portfolio leverages our superior isolation and high-voltage expertise to enhance system performance, flexibility, and reliability, while reducing system size and cost. Our family of isolators supports voltages up to 6 kV.



Digital Isolators



Industrial IO



Isolated Analog
and ADC



Isolated Gate
Drivers

Isolation Applications



Industrial

- Motor control
- Factory automation
- Programmable logic controllers (PLCs)



Automotive

- Battery management
- Isolated fieldbus
- Inverters and chargers



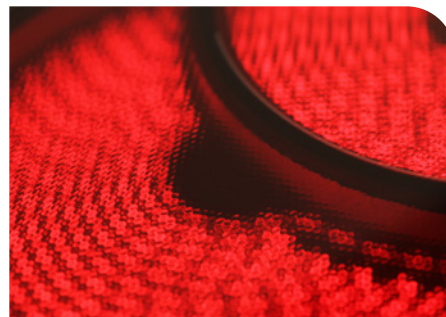
Solar Inverters

- Isolated communication
- DC-AC inverters
- DC-DC converter



Power Supplies

- UPS
- Server supplies
- Communications supplies



Consumer

- Inductive cooktops
- Motor control
- Lighting



Telecom

- Isolated communication
- VoIP gateways
- Service ports

Featured Products

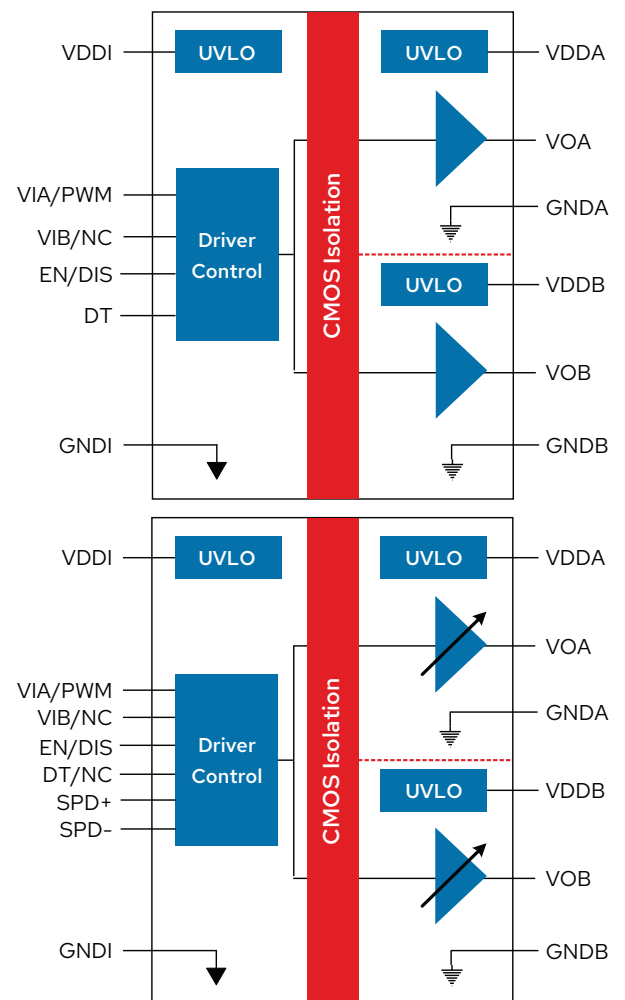
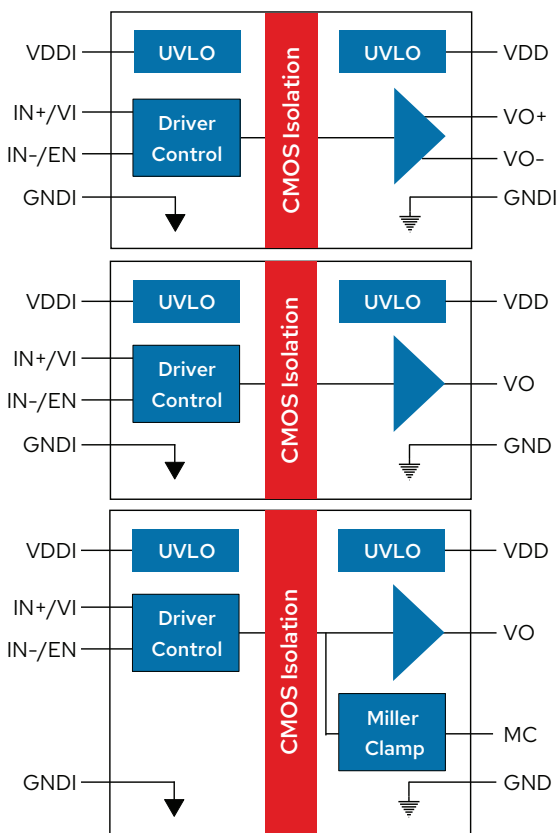
Maximize Your Efficiency with our Isolated Gate Drivers



Si82xx Isolated Gate Drivers

- CMOS input with de-glitch filter
- 10 kV bi-polar surge (IEC60747-17)
- >200 kV/μs CMTI
- <35 ns propagation delay
- Support for GaN, IGBT, SiC, MOSFET
- Up to 6 kV_{RMS} isolation rating
- SelVCD™: Precise current mode control with active Miller clamp
- Safe output state when unpowered
- Gate short-circuit protection
- Thermal shutdown
- Switch short-circuit clamp
- Negative I/O transient tolerance

Single Channel		Dual Channel
Si82Ax	1 A Output	Si82Dx
Si82Bx	6 A Output	Si82Ex
Si82Cx	SelVCD™ Output	Si82Fx





Copyright © 2024 Skyworks Solutions, Inc. All Rights Reserved.

Skyworks, the Skyworks logo and others are trademarks or registered trademarks of Skyworks Solutions, Inc. or its subsidiaries in the United States and other countries. Third-party brands and names are for identification purposes only and are the property of their respective owners.

Skyworks | Nasdaq: SWKS | skyworksinc.com | sales@skyworksinc.com

USA: 949.231.3000 | Asia: 886.2.2735.0399 | Europe: 33.1.4354.8540